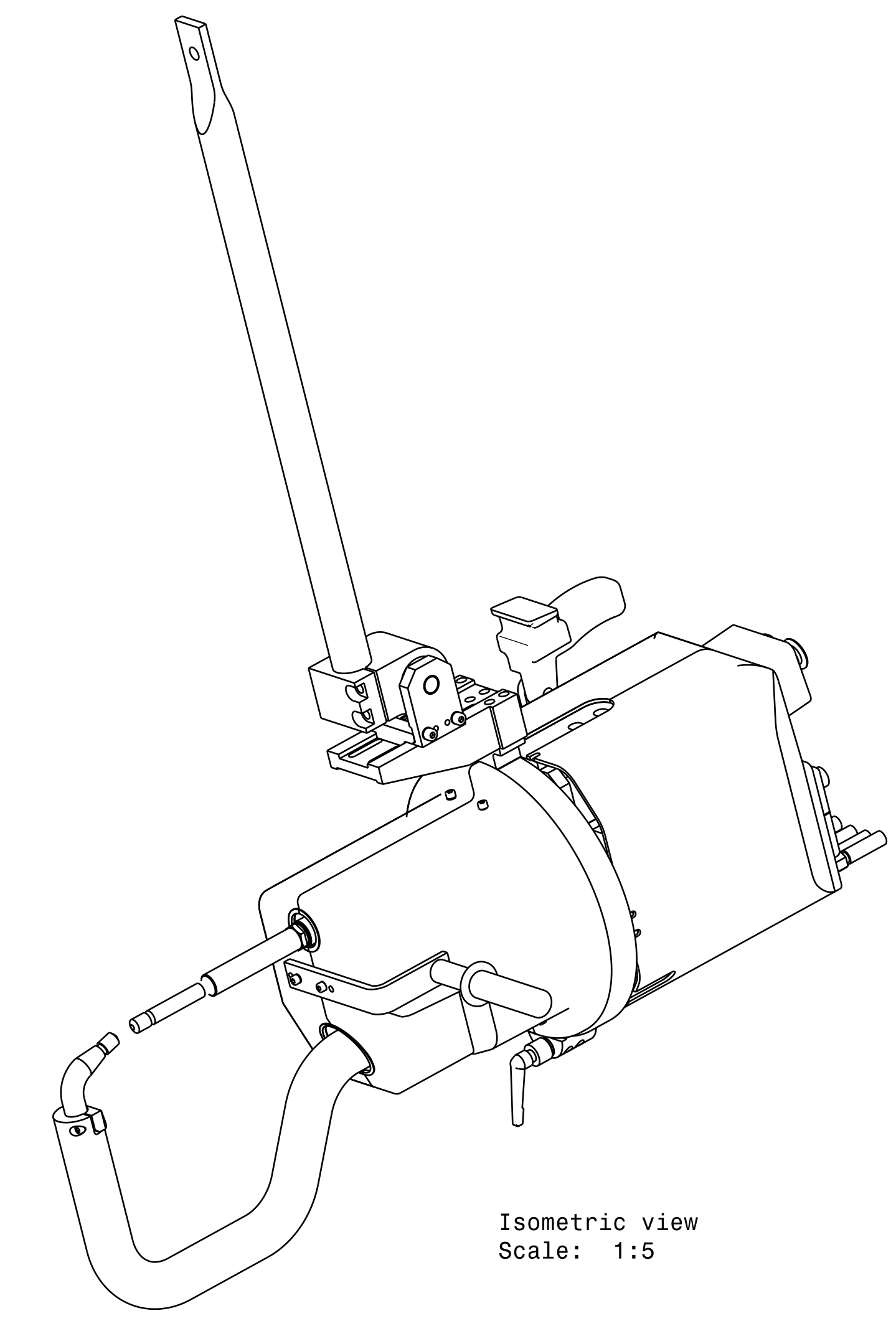
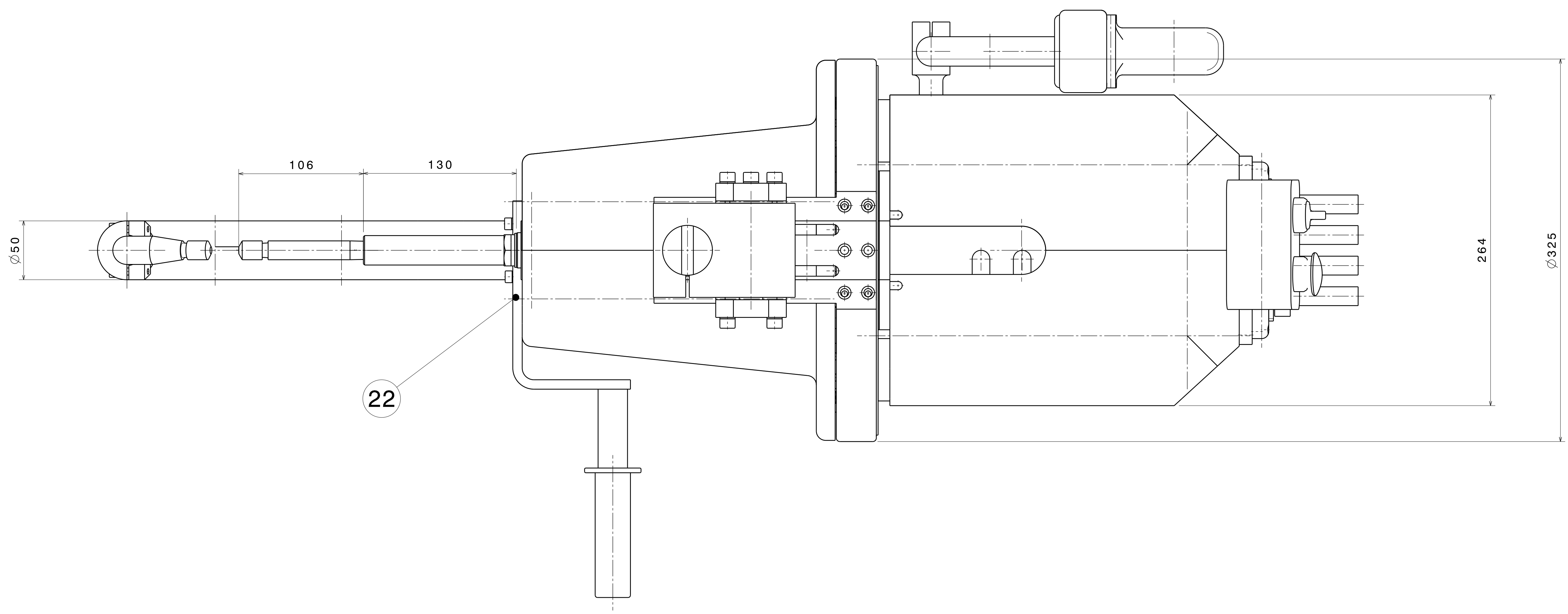
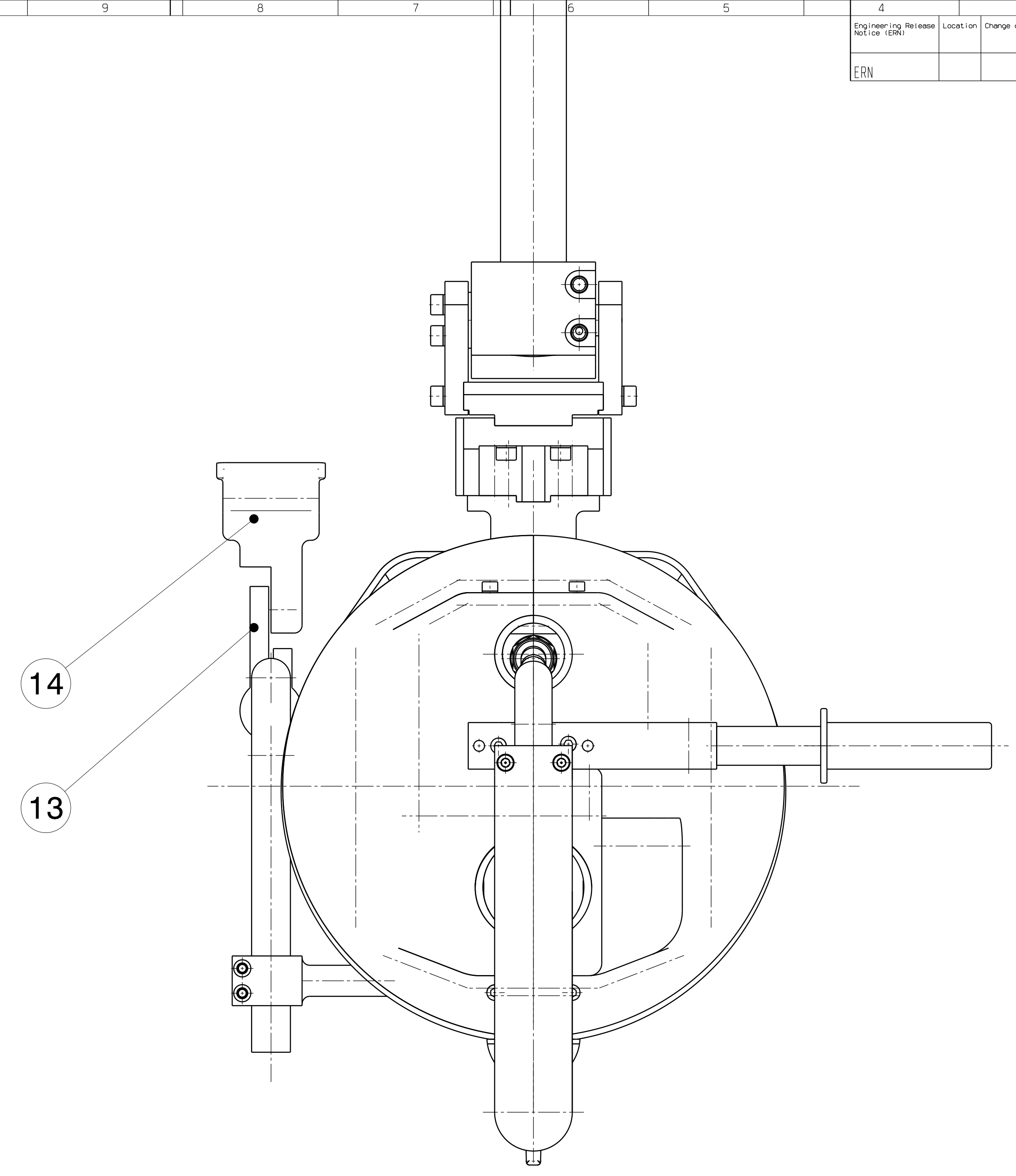
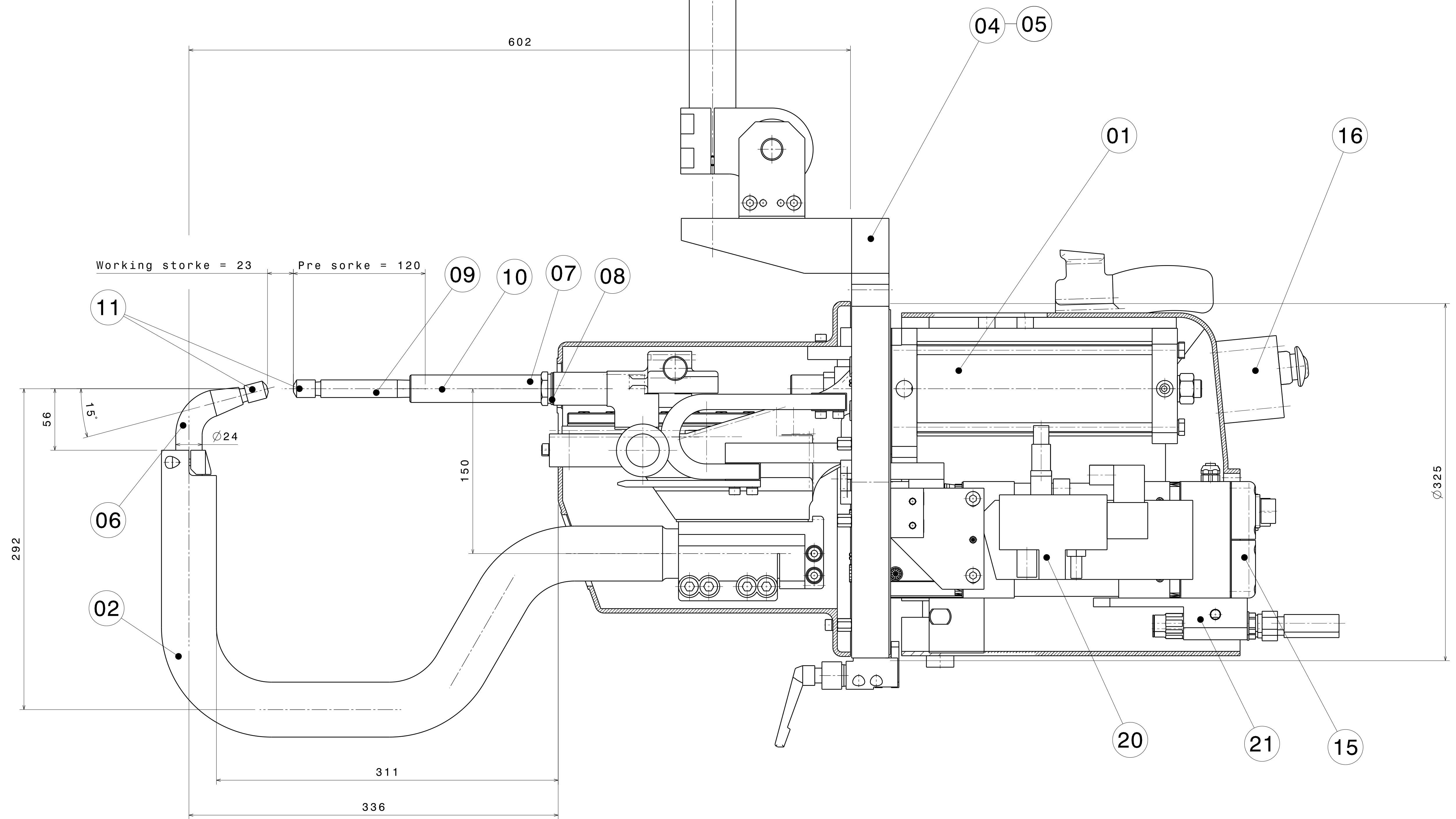


Engineering Release	Location	Change description	Author	Class	Document release status
ERN					Date Modification count



Weight 65 kg
 Transformer MF 3050
 Pre-storke 120mm
 Working storke 40mm
 Electroden force 250 daN bei 5,0 bar

Symbol, designations and general drawing methods STD 101-005 and STD 5023.503					
Tolerance unless otherwise stated ISO 2768-m Sharp edges broken when function allows					
Drawn by	HELU-Service	Date	25.05.09	Scale	1:2
Approved		Date		Projection	1E
The copying, distribution and utilization of this document as well as the communication of its contents to others without express authorization is prohibited. Offenders will be held liable for payment of damages. All rights reserved in the event of the grant of a patent, utility model or ornamental design registration.				Document title Transformer welding gun C-Type VOLVO Zange 14	
VOLVO Volvo Truck Corporation				Document type	
Document no 3870 00478 000 0				Issue	01
				Sheet	11